



**ENERGIA**  
POWER SOLUTIONS

# Modular Power Shelters (MPS)

*Solar Powered Modular  
Shelters with Battery storage*



# ENERGIA

POWER SOLUTIONS

## THE SYSTEM

- Modular Composite Insulated Shelters
- Solar & Battery Powered
- High Quality Prefabricated Materials
- Easily Deployable
- Ridged Design
- Durable Construction
- Lightweight
- Fire & Weather Resistant
- Engineered for Harsh Climates

## OUR SOLUTIONS

- Emergency Shelter
- Communication Shelter
- Modular Hospital Unit
- Sleep Shelter
- Command Hub
- Remote Office
- Storage Unit
- Mobile Kitchen

## OUR SOLUTIONS

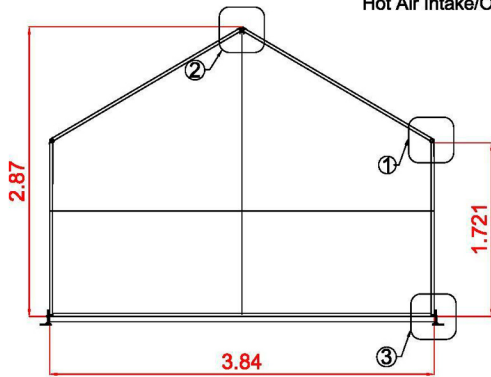
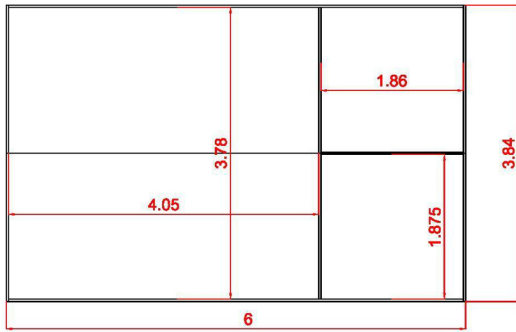
- Off Grid Solar Powered
- Battery Storage Options
- Additional Power Options Available
- Customizable- Color, Interior & Exterior Features (Single and Double Doors etc.)
- LED Lighting
- Charge Points (USB, Standard Electrical Plugs for various tools and devices including lab top refrigerators and fans)
- Standard and Customizable Shelter Sizes Options
- Insulated
- High Impact Resistance
- Maintenance Free
  - No Cracking, Rotting, Rusting
  - Mold, Mildew, and Insect Resistant
- Weather
- Rapid Assembly and Disassembly
- Easy to Clean

For more information, please contact  
Energia Power Solutions LLC  
Email [info@energiapowersolutions.com](mailto:info@energiapowersolutions.com)

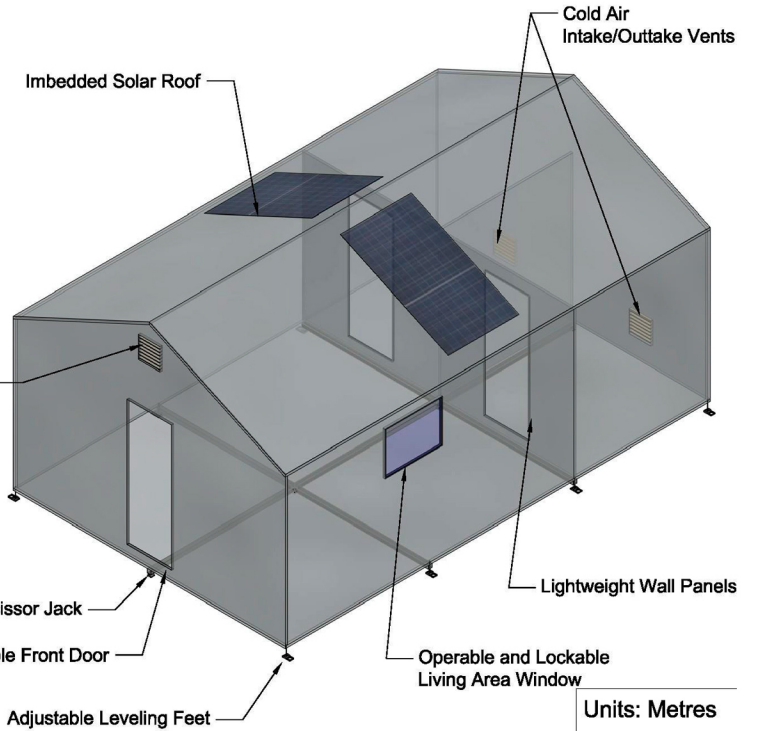


# ENERGIA

POWER SOLUTIONS



Hot Air Intake/Outtake Vent



Units: Metres

